

1 Introduction



CAUTION

Remove mains and control voltage from the soft starter before attaching or removing accessories.



WARNING

Finger guards must be fitted to all terminals, even if no cable is connected.

Finger guards fit over the soft starter's power terminals to increase IP rating and prevent accidental contact with live terminals.

Finger guards provide IP20 protection when used with cable of diameter 22 mm or greater.

2 Packing List

Each kit contains:

6 x Finger guards

6 x Retaining brackets

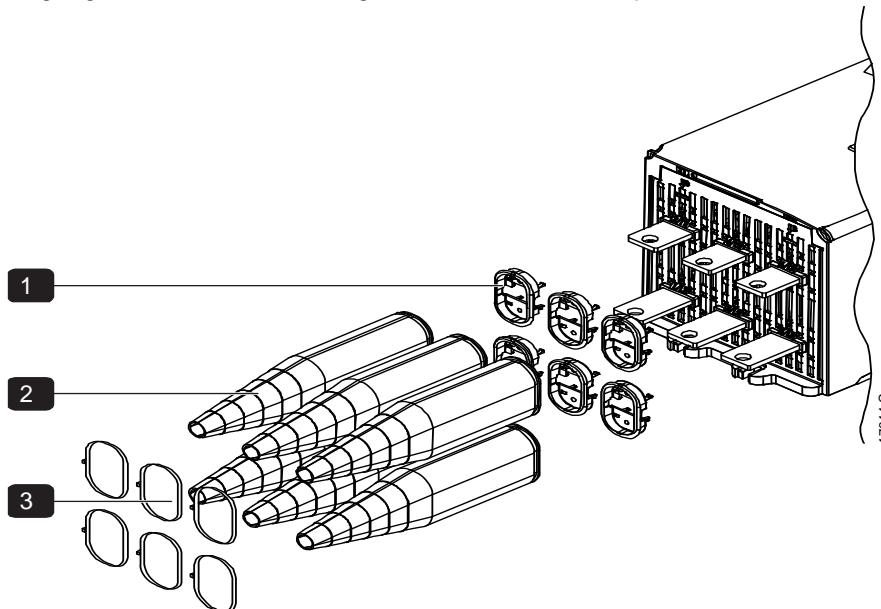
6 x Cable ties

1 x Instruction sheet

3 Installation

Install the finger guards using the following procedure:

1. Disconnect the soft starter from mains and control voltage.
2. Place one retaining bracket over each bus bar and clip into the base of the starter.
3. Feed each power cable through the narrow end of each finger guard. Connect the cables to the appropriate terminals on the soft starter.
If the cables do not fit through the finger guards, shorten the finger guards at the narrow end to make a bigger opening.
4. Push the finger guard over each retaining bracket, and secure in place with a cable tie.



1	Retaining brackets
2	Finger guards
3	Cable ties