

SUNWAY STRING BOX LT

www.santerno.com

SB-24-LT08-1500V II
1500 V
24 INPUTS

The STRING BOX LT series are combiner box for PV strings provided with protection fuses on both poles.

Designed in Italy by the engineers of Elettronica Santerno S.p.A., they feature top-class reliability, ease of installation and maintainability.

KEY FEATURES

The main integrated standard functions of STRING BOX LT SB-24-LT08-1500V II are listed below:

- Possibility to wire up to 24 strings
- Short-circuit protection by fuses on both poles
- Protective class II
- Load break switch
- Polyester flameproof and UV ray-resistant box
- Lockable enclosure
- Ingress protection degree IP65
- Suitable both for floating or earthed PV configuration
- Thorough manufacturing with first class materials



S001057

TECHNICAL DATA

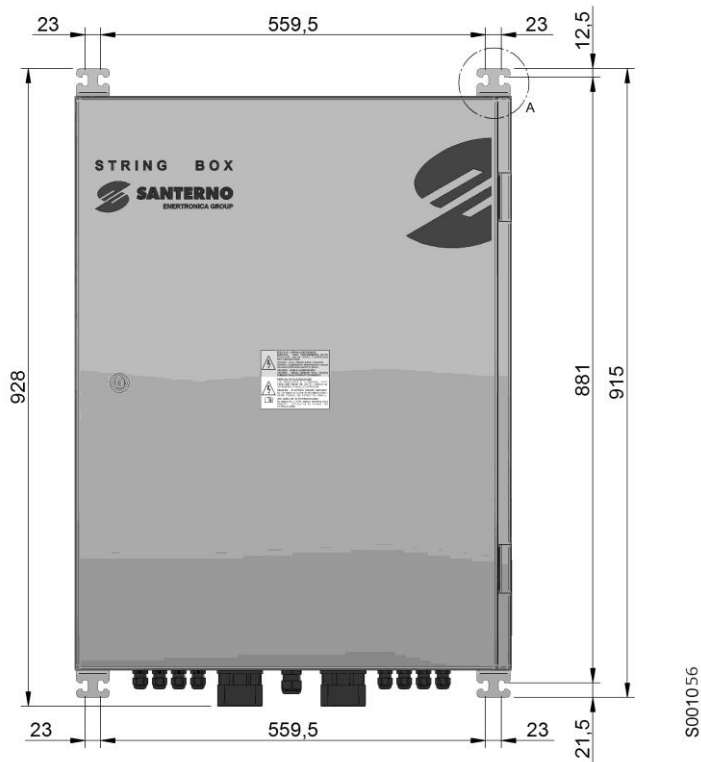
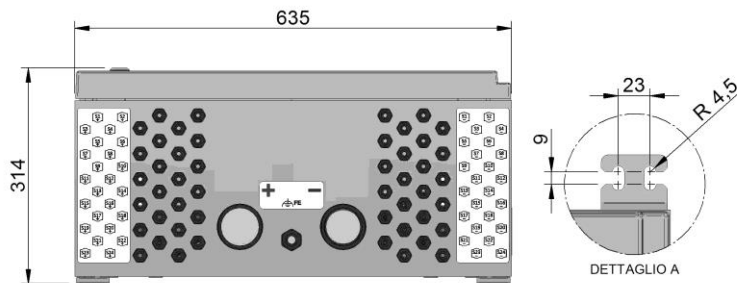
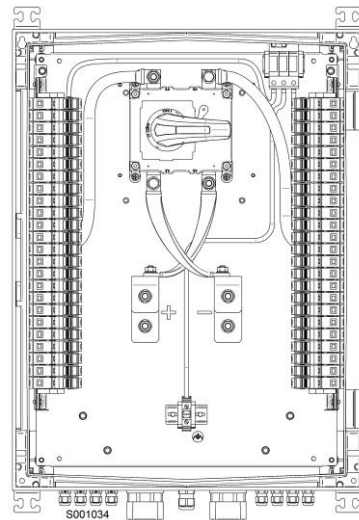
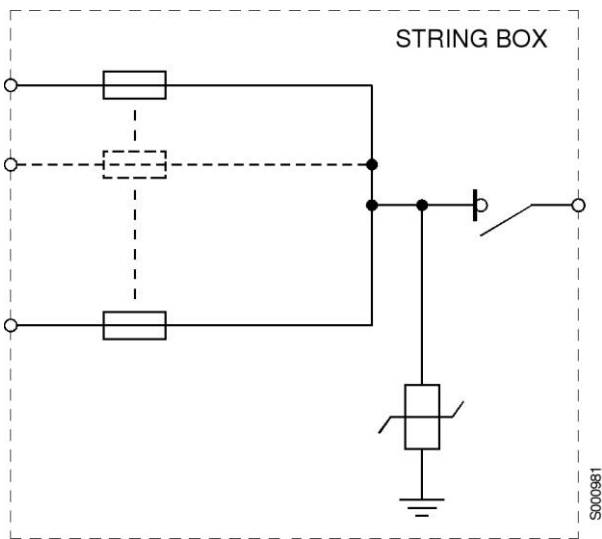
Input Ratings	
Maximum number of strings	24
Maximum voltage	1500 V
Fuses size ^(NOTE 1)	15 A up to 22 A
Maximum current per string ^(NOTE 2)	30 A
Connector type ^(NOTE 3)	Cable glands
Cable cross-section	4 ÷ 10 mm ²
Cable diameter	4.5 ÷ 10.0 mm
Output Ratings	
Maximum current ^(NOTE 2)	240 A
Maximum cable cross-section	300 mm ²
Cables per pole	1
Cable diameter	54 mm conduit mm
Cables connector type	Conduit fitting
Grounding cable cross-section	35 mm ²
Dimensions and weight	
Dimensions (width, height, depth)	635x928x314 mm
Weight	42 kg
Additional features	
String current measure	No
Short-circuit protection (fuses)	On both poles
Protective class	II
Load break switch	Yes (315 A)
Load break switch status	Not available
DC over-voltage protection (SPDs)	Yes (Type II)
SPDs status	Not available
Ingress protection degree	IP65 (IP20 while door open)
Lockable enclosure	Yes

NOTE 1 Fuses to be ordered and shipped separately. Fuse rating to be defined by customer basing on PV modules and ambient specifications.

NOTE 2 @ 45 °C

NOTE 3 Quick coupling connector-versions do not include external mating connectors (string side). Always use mating connectors of the same brand as the connectors installed on the string box. The use of other connectors may damage the product.

DRAWINGS



Elettronica Santerno reserves the right to make any technical changes to this document with no prior notice.



Electronica Santerno Spa - Enertronica Group
P.I. 03686440284
Via della Concia 7 - 40023 Castel Guelfo - Italy



(+39) 0542 489711



info@santerno.com

www.santerno.com